

Sink Dispensing Unit

#4118 NCL Sink Dispensing Unit with ES-Gap Eductors

Package Contains:

1. Proportioner unit.
2. Mounted Metering Tips (Yellow – Left; Lt. Purple – Right)
3. 2 ea. F-Style Gallon Bottle Holders / Mounting Hardware
4. 2 ea. Bottle Connection Caps
5. Suction tubing: 1/4" x 14'. (for 2 tube sections)
6. 2 ea. Solution Discharge tubes.
7. Mounting anchor kit.



THANK YOU FOR YOUR INTEREST IN OUR PRODUCTS

Please use this equipment carefully and observe all warnings and cautions.

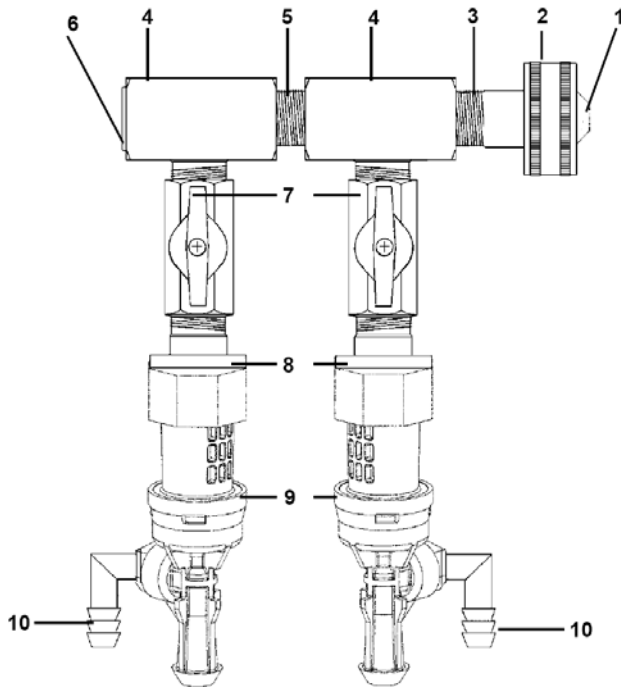
***** NOTE *****

WEAR	protective clothing and eyewear when dispensing chemicals or other materials.
ALWAYS	observe safety and handling instructions of the chemical manufacturers.
ALWAYS	direct discharge away from you or other persons or into approved containers.
ALWAYS	dispense cleaners and chemicals in accordance with manufacturer's instructions. Exercise CAUTION when maintaining your equipment.
KEEP	equipment clean to maintain proper operation.
WEAR	protective clothing and eyewear when working in the vicinity of all chemicals, filling or emptying equipment or changing metering tips.
ALWAYS	re-assemble equipment according to instruction procedures. Be sure all components are firmly screwed or latched into position.
ATTACH	only to tap water outlets (85 PSI maximum).
NOTE	If the unit is used to fill a sink or the discharge hose can be placed into a sink, the unit must be mounted so that the bottom of the cabinet is above the overflow rim of the sink.

Installation and Operation:

1. Hold unit up to wall and drill holes for the wall anchors with a 9/32" drill. Install mounting anchors, and then install screws into top two anchors. Slide key holes at top of dispenser over screw heads. Install bottom two screws through holes in cabinet. Tighten all screws. Do not mount more than 6 ft. (1.8 m) above bottom of concentrate container, nor below the highest concentrate level (never mount your concentrate higher than the dispenser). Turn ball valves so they are in a horizontal position (pointing left and right).
2. Suction tubes should reach from hose barbs on eductors to bottoms of concentrate containers. Cut tube supplied to lengths required. (There is enough tube for 7 feet of tube per eductor.) Place the Bottle Connector Cap at the other end of the tube.
3. Slip open ends of suction tubes over the hose barbs/metering tips on the eductors (one at each side).
4. A long (4ft.) discharge tube is used with 4 GPM (yellow) eductors. Do not remove flooding rings from inside the tubes. Slide end of tube with flooding ring over discharge outlet.
5. Install outer discharge tubes over inner discharge tubes. Put the ends of the tubes into the appropriate sink compartments.
6. Connect bottle of product to unit using Bottle Connector Cap.
7. Connect water supply hose of at least 1/2" ID to water inlet swivel. (Minimum 25 PSI pressure, with water running, is required for proper operation.) Connect other end of hose to water supply. Turn water supply on.
8. Purge air from the system by opening the ball valves briefly. (Ball valves will be in vertical position -- pointing up and down -- when open.) There may be some water discharge from the eductor vents until the air is purged.
9. Open one ball valve to start flow of desired water/concentrate solution, and run unit until supply tube is primed (filled). Repeat priming operation for other ball valve. Then, open ball valves when dispensing is desired. Close ball valves to stop flow of solution.

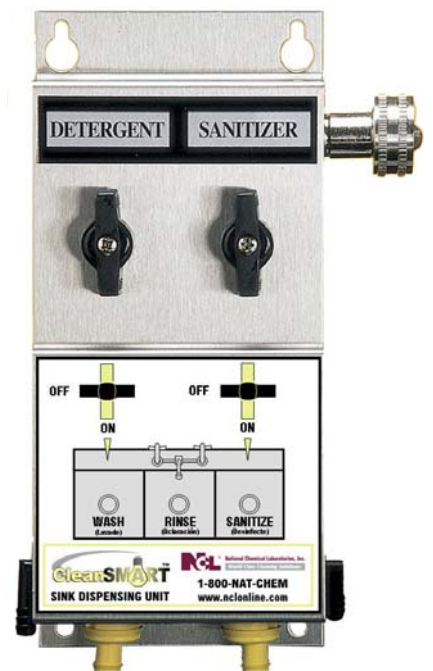
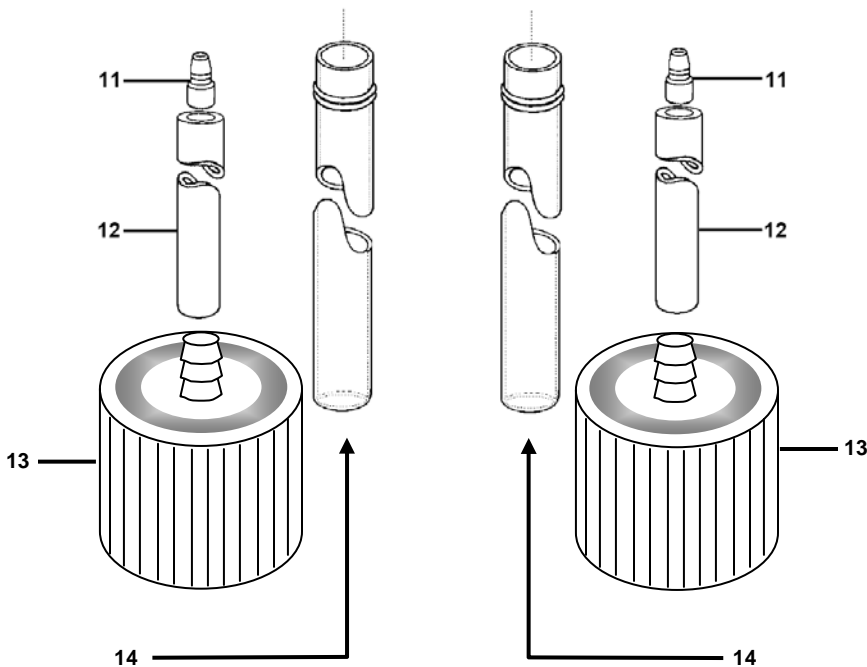
Sink Dispensing Unit



Key Part No. Description

Key	Part No.	Description
1	238100	Strainer washer
2	506502	Swivel nut
3	276800	Swivel stem
4	133000	Branch tee
5	10027700	3/8" nipple
6	10075925	Pipe plug
7	10080320	Ball valve
8	10064652	3/8" x MGH fitting, sealed
9	291	3.5 GPM E-Gap Educator Assy.
10	10077500	90° Angle hose barb
11	10027001	Lt. purple metering tip (Right)
	690004	Yellow metering tip (Left)
12	500814	Tubing, 1/4" x 14'
13	90089192	Bottle connector cap (2)
14	90048495	Discharge tube assembly

NOT SHOWN: F-Style Bottle Holder (2)



TROUBLESHOOTING CHART:

Problem	Cause	Solution
1. No discharge	a. No water	a. Turn on water supply
2. No concentrate draw	b. Metering tip or eductor has scale build-up	b. Clean (descale) or replace
	c. Low water pressure	c. Minimum 25 PSI (with water running) required to operate unit properly
	d. Discharge tube and/or flooding ring not in place	d. Push tube firmly onto eductor discharge hose barb, or replace tube if it doesn't have a flooding ring
	e. Concentrate container empty	e. Replace with full container
	f. Inlet hose barb not screwed into eductor tightly	f. Tighten, but do not overtighten
3. Excess concentrate draw	a. Metering tip not in place	a. Press correct tip firmly into barb on eductor

NOTE: In hard water areas, scale may form inside the discharge end of the eductor, as well as in other areas of the unit that are exposed to water. This scale may be removed by soaking the eductor in a descaling solution (deliming solution). To remove an eductor located in the cabinet, unthread it. Alternatively, a scaled eductor can be cleaned (or kept from scaling) by drawing the descaling solution through the unit. Operate the unit with the suction tube in the descaling solution. Operate the unit until solution is drawn consistently, then flush the unit by drawing clear water through it for a minute. Replace concentrate container and put suction tube into concentrate.



National Chemical Laboratories, Inc.

World Class Cleaning Solutions®

401 N. 10th Street • Philadelphia, PA 19123 USA • (800) NAT-CHEM
FAX: (215) 922-5517 • e-mail: info@nclonline.com

90089196
9/07